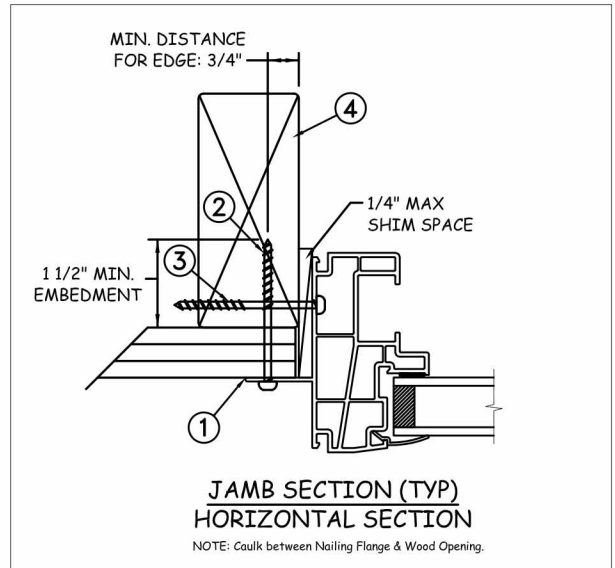


**NAIL FIN INSTALLATION**



Max Frame	DP RATING	IMPACT
72" x 72"	+50/-55	NO

**Installation Notes:**

1. Seal flange/frame to substrate.
2. Use #10 PHSMS or greater fastener though the nail fin with sufficient length to penetrate a minimum of 1 1/2" into the wood framing. For 2X wood frame substrate (min. S.G. = 0.42).
3. Use #10 PHSMS or greater fastener though the frame with sufficient length to penetrate a minimum of 1 1/2" into the wood framing. For 2X wood frame substrate (min. S.G. = 0.42).
4. Host structure (wood buck, masonry, steel) to be designed and anchored to properly transfer all loads to the structure. The host structure is the responsibility of the architect or engineer of record for the project of installation.

**General Notes:**

1. The product shown herein is designed, tested and manufactured to comply with the wind load criteria of the adopted International Building Code(IBC), the International Residential Code(IRC), the Florida Building Code(FBC) and the industry requirement for the stated conditions.
2. All glazing shall conform to ASTM E1300.
3. At minimum, glazing shall be be 5.0mm annealed insulating glass.
4. Use structural or composite shims where required.

Digitally signed by Hermes F Norero, P.E.

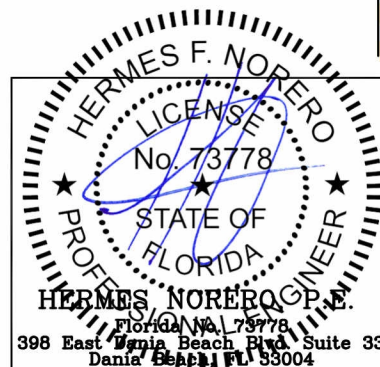
Reason: I am approving this document

Date: 2016.01.15 14:50:08 -05'00'

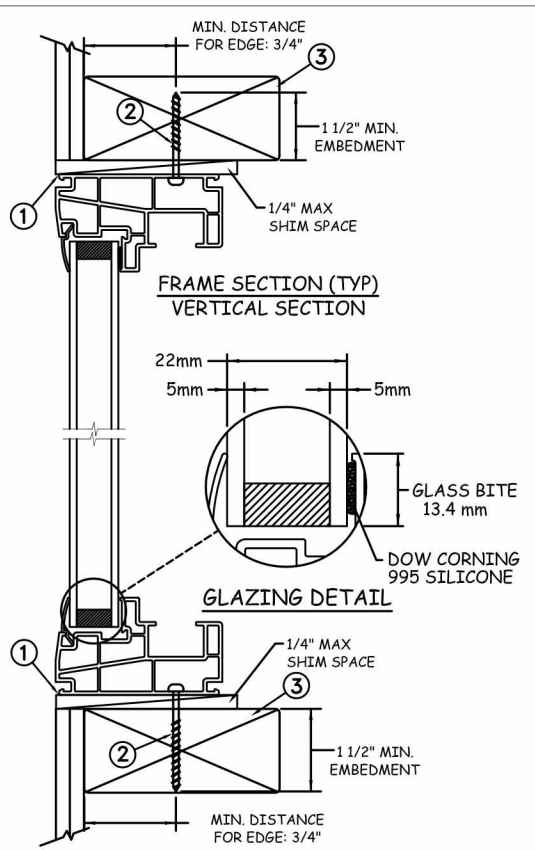
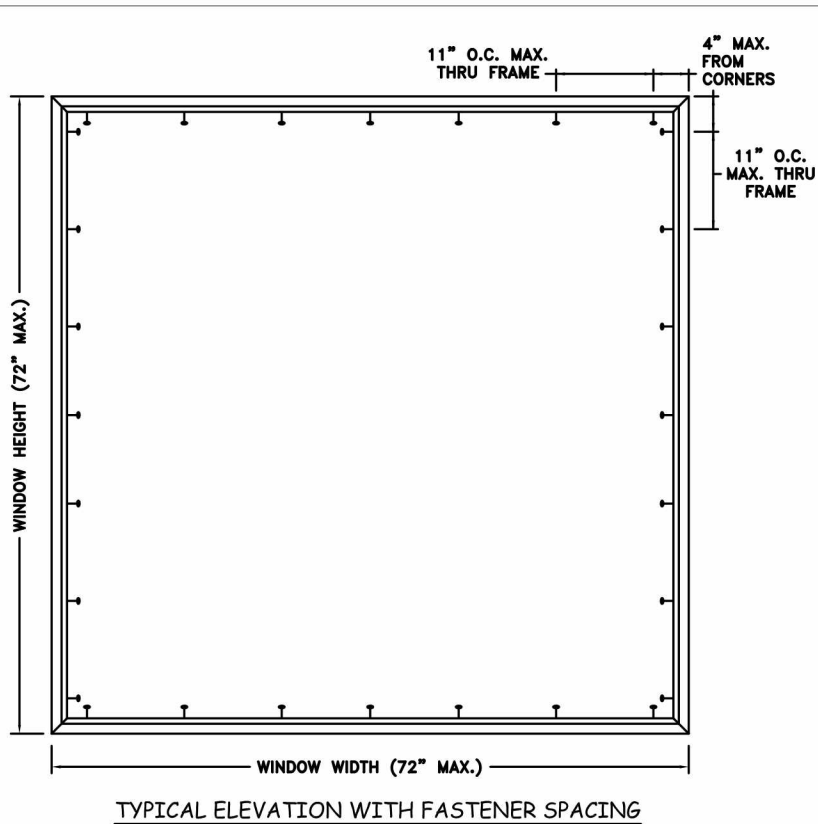
This schedule addresses only the fasteners required to anchor the window to achieve the rated design pressure up to the size limitations noted. It is not intended as a guide to the installation process and does not address the sealing consideration that may arise in different wall conditions. For the complete installation procedure, see the instructions packaged with the window or go to [www.jeld-wen.com](http://www.jeld-wen.com).

**DISCLAIMER:**

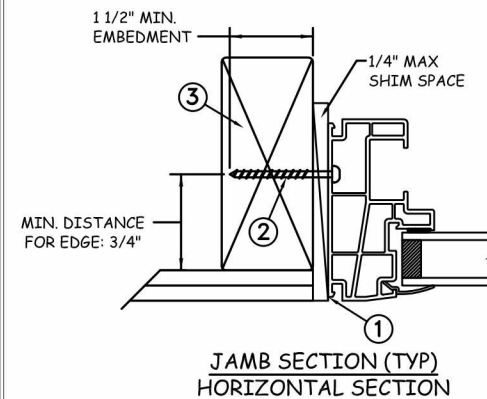
This drawing and its contents are confidential and are not to be reproduced or copied in whole or in part or used or disclosed to others except as authorized by JELD-WEN Inc.



PROJECT ENGINEER: --	DATE: 12/17/2015	<b>JELD-WEN</b> 3737 Lakeport Blvd Klamath Falls, OR. 97601 Phone: (800) 535-3936
DRAWN BY: D. Vezo	SCALE: NTS	
CHECKED BY: J. Goossen	TITLE: Premium Atlantic Vinyl Fixed Window	
APPROVED BY: --		
PART/PROJECT No.: D009460		
IDENTIFIER No. NCTL-210-4005-LA	PLANT NAME AND LOCATION:	CAD DWG. No.:
		REV: 00 SHEET 1 OF 4



THROUGH FRAME  
INSTALLATION



Max Frame 72" x 72"	DP RATING +50/-55	IMPACT NO
------------------------	----------------------	--------------

Installation Notes:

1. Seal flange/frame to substrate.
2. Use #10 PHSMS or greater fastener though the frame with sufficient length to penetrate a minimum of 1 1/2" into the wood framing. For 2X wood frame substrate (min. S.G. = 0.42).
3. Host structure (wood buck, masonry, steel) to be designed and anchored to properly transfer all loads to the structure. The host structure is the responsibility of the architect or engineer of record for the project of installation.

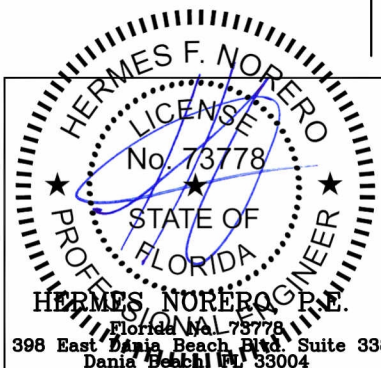
General Notes:

1. The product shown herein is designed, tested and manufactured to comply with the wind load criteria of the adopted International Building Code(IBC), the International Residential Code(IRC), the Florida Building Code(FBC) and the industry requirement for the stated conditions.
2. All glazing shall conform to ASTM E1300.
3. At minimum, glazing shall be be 5.0mm annealed insulating glass.
4. Use structural or composite shims where required.

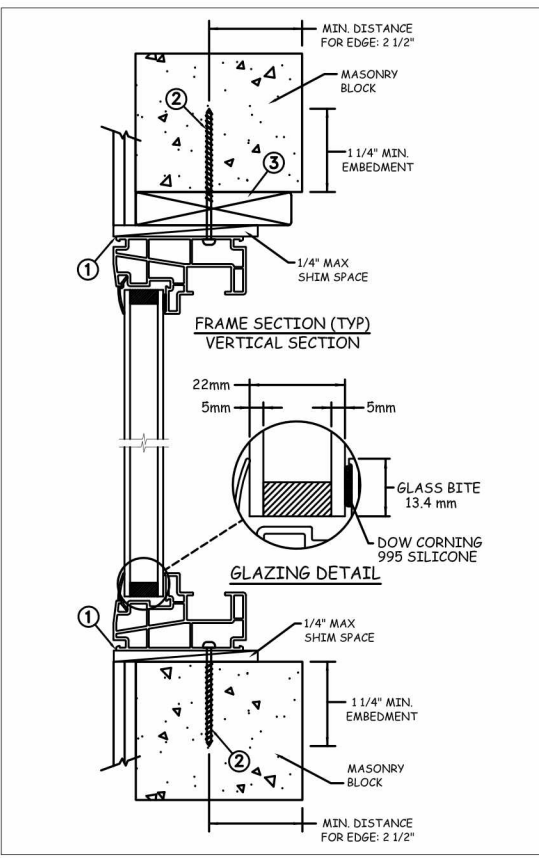
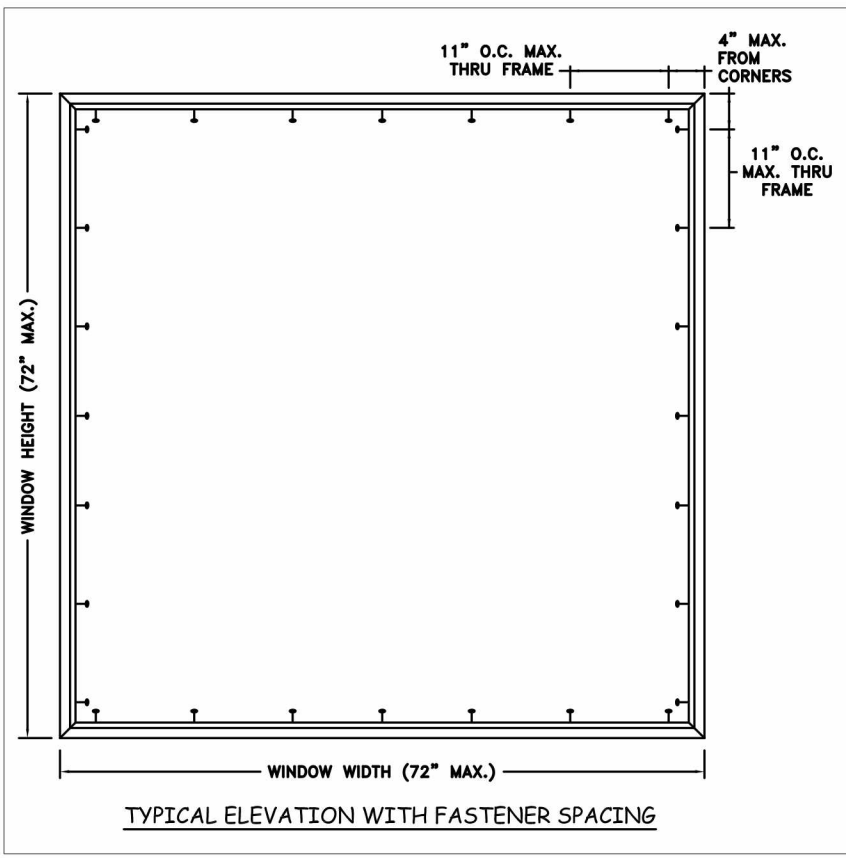
This schedule addresses only the fasteners required to anchor the window to achieve the rated design pressure up to the size limitations noted. It is not intended as a guide to the installation process and does not address the sealing consideration that may arise in different wall conditions. For the complete installation procedure, see the instructions packaged with the window or go to [www.jeld-wen.com](http://www.jeld-wen.com).

DISCLAIMER:

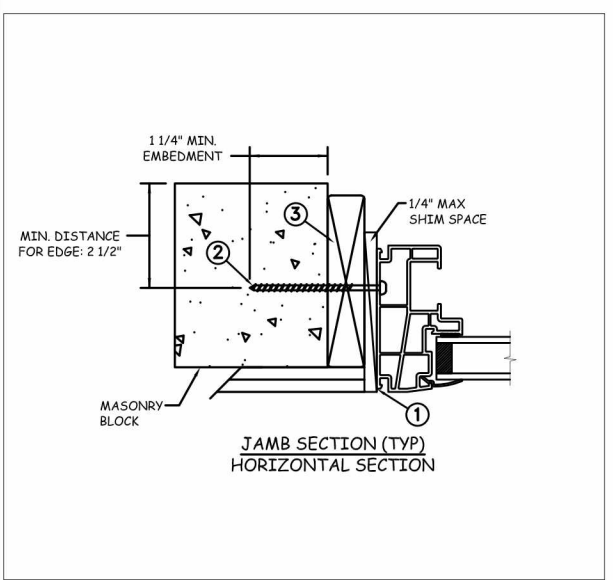
This drawing and its contents are confidential and are not to be reproduced or copied in whole or in part or used or disclosed to others except as authorized by JELD-WEN Inc.



PROJECT ENGINEER: --	DATE: 10/29/2015	<b>JELD-WEN</b> 3737 Lakeport Blvd Klamath Falls, OR. 97601 Phone: (800) 535-3936
DRAWN BY: D. Vezo	SCALE: NTS	
CHECKED BY: J. Goossen	TITLE: Premium Atlantic Vinyl Fixed Window	
APPROVED BY: --		
PART/PROJECT No.: D009460		
IDENTIFIER No. NCTL-210-4005-LA	PLANT NAME AND LOCATION:	CAD DWG. No.:
		REV: 00
		SHEET 2 OF 4



MASONRY INSTALLATION



Max Frame	DP RATING	IMPACT
72" x 72"	+50/-55	NO

Installation Notes:

1. Seal flange/frame to substrate.
2. Use 3/16" Tapcon or equivalent fasteners through frame with sufficient length to penetrate a minimum of 1 1/4" into concrete or masonry at each location with a 2 1/2" min from edge distance. For concrete (min. f'c = 3000psi) or masonry substrate (CMU shall adhere to ASTM C90).
3. Host structure (wood buck, masonry, steel) to be designed and anchored to properly transfer all loads to the structure. The host structure is the responsibility of the architect or engineer of record for the project of installation.

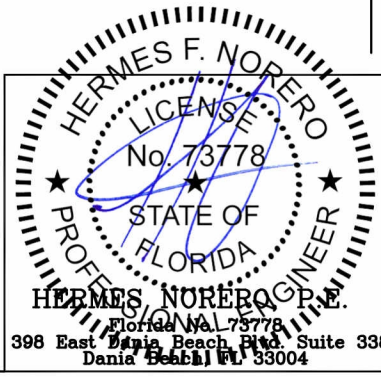
General Notes:

1. The product shown herein is designed, tested and manufactured to comply with the wind load criteria of the adopted International Building Code(IBC), the International Residential Code(IRC), the Florida Building Code(FBC) and the industry requirement for the stated conditions.
2. All glazing shall conform to ASTM E1300.
3. At minimum, glazing shall be be 5.0mm annealed insulating glass.
4. Use structural or composite shims where required.

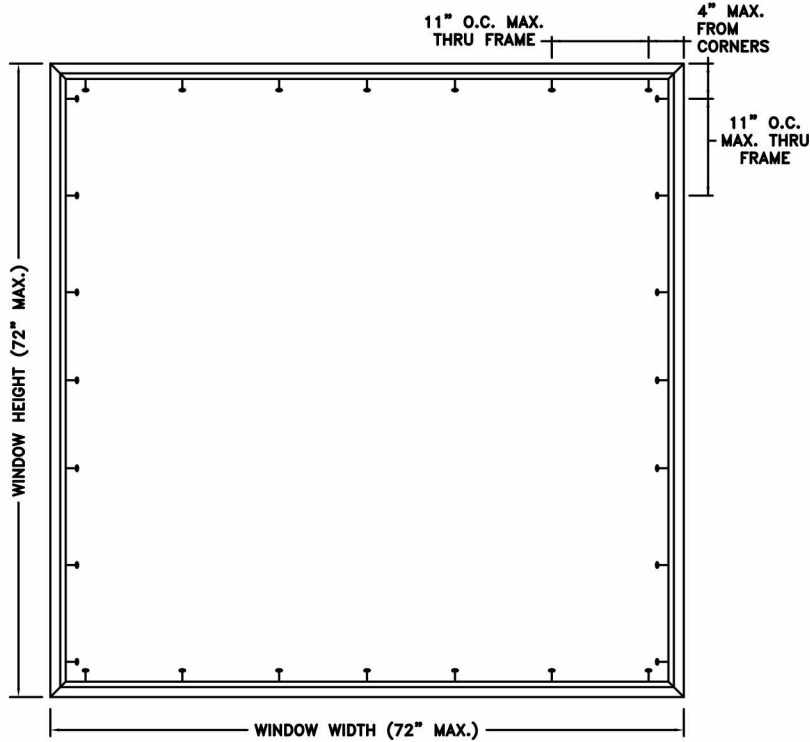
This schedule addresses only the fasteners required to anchor the window to achieve the rated design pressure up to the size limitations noted. It is not intended as a guide to the installation process and does not address the sealing consideration that may arise in different wall conditions. For the complete installation procedure, see the instructions packaged with the window or go to [www.jeld-wen.com](http://www.jeld-wen.com).

DISCLAIMER:

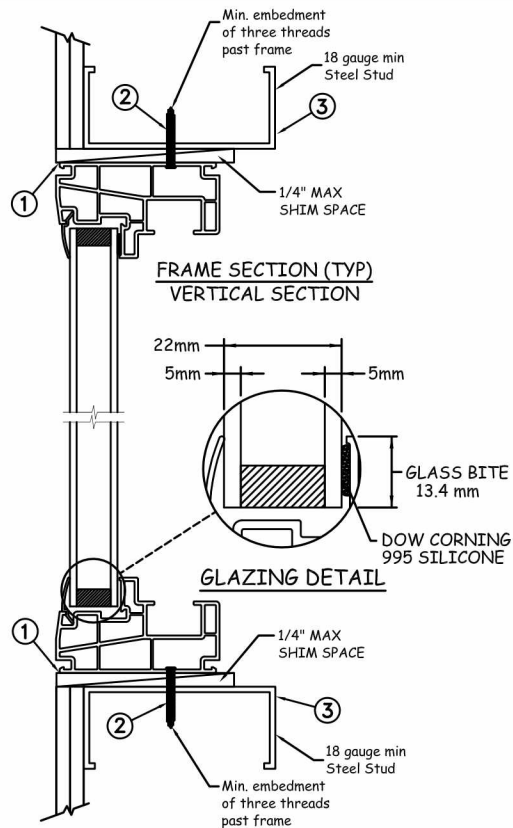
This drawing and its contents are confidential and are not to be reproduced or copied in whole or in part or used or disclosed to others except as authorized by JELD-WEN Inc.



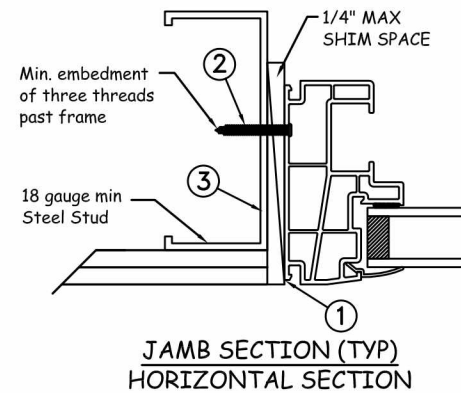
PROJECT ENGINEER: --	DATE: 05/23/13	<b>JELD-WEN</b> 3737 Lakeport Blvd Klamath Falls, OR. 97601 Phone: (800) 535-3936
DRAWN BY: D. Vezo	SCALE: NTS	
CHECKED BY: J. Goossen	TITLE: Premium Atlantic Vinyl Fixed Window	
APPROVED BY: --		
PART/PROJECT No.: D009460		
IDENTIFIER No. NCTL-210-4005-LA	PLANT NAME AND LOCATION:	CAD DWG. No.:
		REV: 00
		SHEET 3 OF 4



TYPICAL ELEVATION WITH FASTENER SPACING



STEEL INSTALLATION



Max Frame	DP RATING	IMPACT
72" x 72"	+50/-55	NO

Installation Notes:

1. Seal flange/frame to substrate.
2. For anchoring into metal framing use #10 TEK Self Tapping screws with sufficient length to achieve a minimum embedment of three threads past the frame thickness. Steel substrate min. 18ga., fy = 33 ksi.
3. Host structure (wood buck, masonry, steel) to be designed and anchored to properly transfer all loads to the structure. The host structure is the responsibility of the architect or engineer of record for the project of installation.

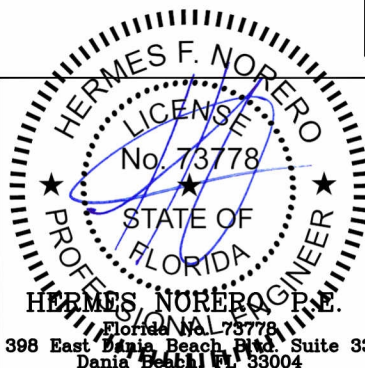
General Notes:

1. The product shown herein is designed, tested and manufactured to comply with the wind load criteria of the adopted International Building Code(IBC), the International Residential Code(IRC), the Florida Building Code(FBC) and the industry requirement for the stated conditions.
2. All glazing shall conform to ASTM E1300.
3. At minimum, glazing shall be be 5.0mm annealed insulating glass.
4. Use structural or composite shims where required.

This schedule addresses only the fasteners required to anchor the window to achieve the rated design pressure up to the size limitations noted. It is not intended as a guide to the installation process and does not address the sealing consideration that may arise in different wall conditions. For the complete installation procedure, see the instructions packaged with the window or go to [www.jeld-wen.com](http://www.jeld-wen.com).

DISCLAIMER:

This drawing and its contents are confidential and are not to be reproduced or copied in whole or in part or used or disclosed to others except as authorized by JELD-WEN Inc.



PROJECT ENGINEER: --	DATE: 10/29/2015
DRAWN BY: D. Vezo	SCALE: NTS
CHECKED BY: J. Goossen	TITLE:
APPROVED BY: --	
PART/PROJECT No.:	
D009460	
IDENTIFIER No.:	PLANT NAME AND LOCATION:
NCTL-210-4005-LA	

**JELD-WEN** 3737 Lakeport Blvd  
Klamath Falls, OR. 97601  
Phone: (800) 535-3936

Premium Atlantic Vinyl Fixed Window

CAD DWG. No.:	REV: 00	SHEET 4 OF 4
---------------	---------	--------------